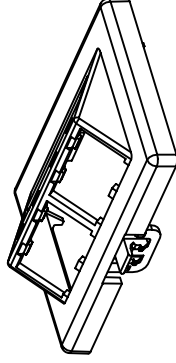
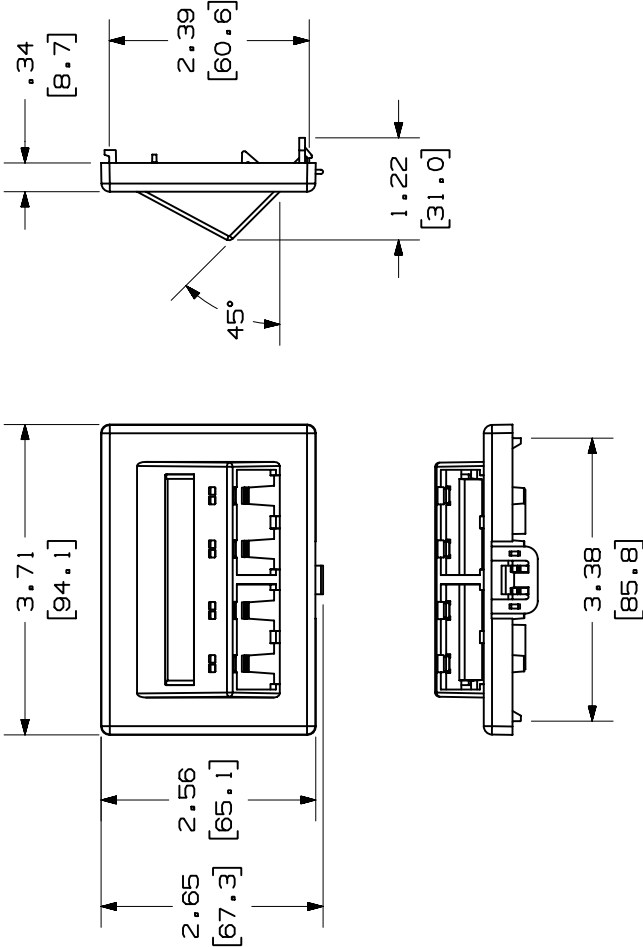


THIS COPY IS PROVIDED ON A RESTRICTED BASIS AND IS NOT TO BE USED IN ANY WAY DETRIMENTAL TO THE INTERESTS OF PANDUIT CORP.

PANDUIT P/N	WEIGHT
CFFPEBSL4**	.40 LB/10 PCS (182.1 9/10 PCS)

- NOTES:
- SEE CURRENT CATALOG FOR ADDITIONAL PART NUMBER SUFFIXES TO INDICATE COLOR AND OR PACKAGE QUANTITY.
 - SEE CATALOG FOR COMPLETE LIST OF PARTS APPLICABLE FOR USE WITH THIS PART.
 - DIMENSIONS IN PARENTHESES ARE IN METRIC.
 - CFFPEBSL4** INCLUDES:
 - 1- LABEL COVER
 - 1- FACEPLATE



CAD FILE NAME/LAYERS

M00795BA_DC_08A.PRT

PANDUIT

CORP. TINLEY PARK, ILL.IND015

MINI-COM 4 POSITION SLOPED FURNITURE FACEPLATE FOR HERMAN MILLER BELTLINE SERIES (CFFPEBSL4**) CUSTOMER DRAWING

UNLESS OTHERWISE SPECIFIED, DIMENSIONAL TOLERANCES ARE:
 (.X) ± (.XXX) ±.010(.3)
 (.XX) ±.03(.8) ANGLES ±

UNLESS OTHERWISE SPECIFIED, ALL DIMENSIONS ARE GIVEN IN INCHES, THIRD ANGLE PROJECTION.

DRAWN BY JSP

DATE 1-28-00

MAT'L:

SCALE NONE

CHECKED BY

DRAWING NO.

DWG

00795-02

SIZE A

RELEASED TO PRODUCTION.

00795-02

ECN

CHK

CUST

SUP

DESCRIPTION

BY CHK

DATE

REV